



### Magnetic Buzzer

## EMX- 7TA06SP



Rev.2

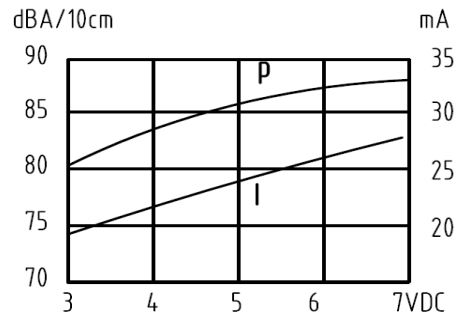
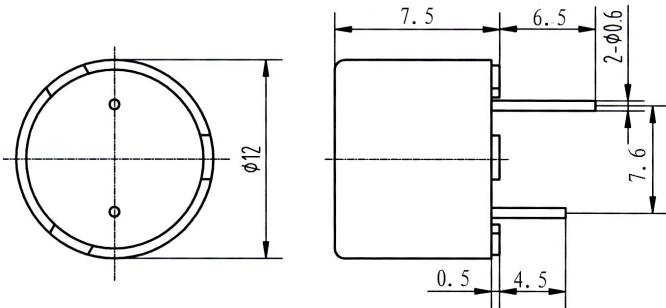
#### FEATURES:

- Low Frequency
- Small and Slim Size

#### APPLICATIONS:

- Automatic Control Equipment
- Communication Equipment
- Electronic Instruments

#### DIMENSIONS: (Unit: mm)



#### ELECTRICAL SPECIFICATIONS:

Min. Sound Pressure Level at

5V <sub>DC</sub> /10cm.....	83dB(A)
Rated Voltage.....	5V <sub>DC</sub>
Operating Voltage.....	3~7V <sub>DC</sub>
Max. Consumption.....	30mA/5V <sub>DC</sub>
Oscillating Frequency.....	2300±400Hz
Operating Temperature.....	-20~+70°C
Weight.....	2g

#### PACKING INFORMATION:

Packing: 3000 pcs per export carton  
 Carton Size: 47x25x28cm  
 G. Weight: 6.6 kgs N. Weight: 5.1 kgs  
 Address: Multitrack GmbH, Pfaffenrain 22, 35606 Solms, Germany  
 Tel: +49-6442-9220950, Fax: +49-3212-1258768

