

**Magnetic Buzzer****EMX- 7TA05SP**

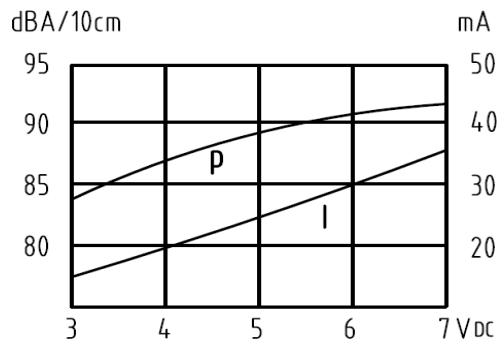
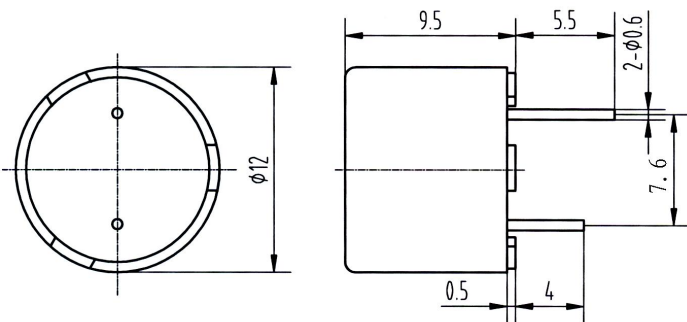
Rev.2

**FEATURES:**

- Low Frequency
- Low Voltage
- Small and Slim Size

APPLICATIONS:

- Automatic Control Equipment
- Communication Equipment
- Electronic Instruments

DIMENSIONS: (Unit: mm)**CHARACTERISTICS:****ELECTRICAL SPECIFICATIONS:**

Min. Sound Pressure Level at	
5V _{DC} /10cm.....	85dB(A)
Rated Voltage.....	5V _{DC}
Operating Voltage.....	3~7V _{DC}
Max. Consumption.....	30mA/5V _{DC}
Oscillating Frequency.....	2300±400Hz
Operating Temperature.....	-25~+70°C
Storage Temperature.....	-30~+80°C
Weight.....	1.7g

PACKING INFORMATION:

Packing: 3000 pcs per export carton

Carton Size: 47×25×28cm

G. Weight: 6.6 kgs N. Weight: 5.1kgs

Address: Multitrack GmbH, Pfaffenrain 22, 35606 Solms, Germany

Tel: +49-6442-9220950, Fax: +49-3212-1258768

