



### Magnetic Buzzer

## EMX- 7T06SP

RoHS  
Compliant



#### FEATURES:

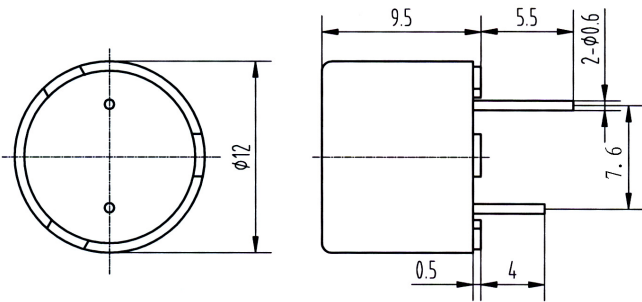
- Low Frequency
- Low Voltage
- Small and Slim Size

Rev.2

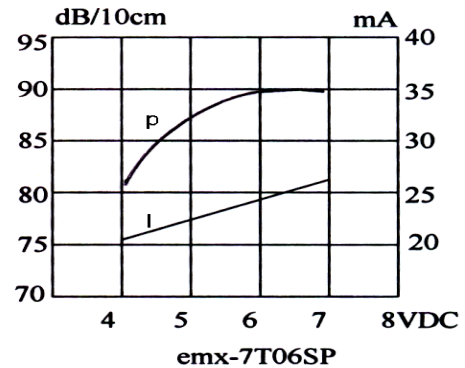
#### APPLICATIONS:

- Automatic Control Equipment
- Communication Equipment
- Electronic Instruments

#### DIMENSIONS: (Unit: mm)



#### CHARACTERISTICS:



#### ELECTRICAL SPECIFICATIONS:

Min. Sound Pressure Level at	
6V <sub>DC</sub> /10cm.....	85dB(A)
Rated Voltage.....	6V <sub>DC</sub>
Operating Voltage.....	4~7V <sub>DC</sub>
Max. Consumption.....	30mA/6V <sub>DC</sub>
Oscillating Frequency.....	2.3±0.3kHz
Operating Temperature.....	-20~+85°C
Weight.....	1.7g

#### PACKING INFORMATION:

Packing: 3000 pcs per export carton  
 Carton Size: 47x25x28cm  
 G. Weight: 6.6 kgs    N. Weight: 5.1kgs  
 Address: Multitrack GmbH, Pfaffenrain 22, 35606 Solms, Germany  
 Tel: +49-6442-9220950, Fax: +49-3212-1258768

