



Magnetic Transducer

EMX- 7T03SP



Rev.2



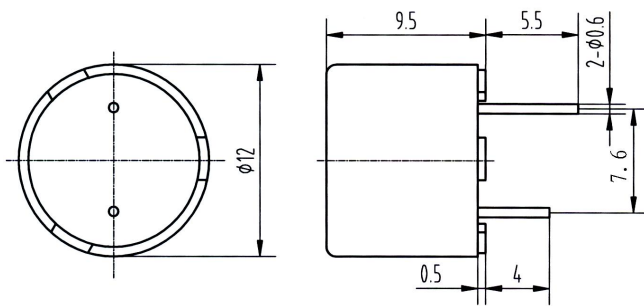
FEATURES:

- Low Frequency
- Low Voltage
- Small and Slim Size

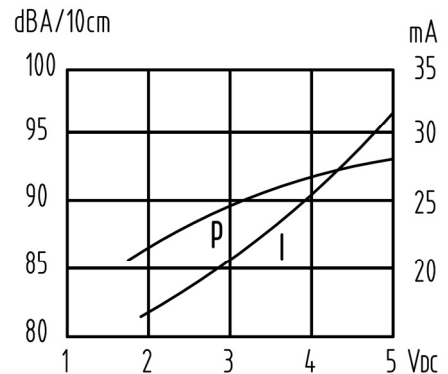
APPLICATIONS:

- Automatic Control Equipment
- Communication Equipment
- Electronic Instruments

DIMENSIONS: (Unit: mm)



CHARACTERISTICS:



ELECTRICAL SPECIFICATIONS:

Min. Sound Pressure Level at

3V _{DC} /10cm.....	85dB(A)
Rated Voltage.....	3 V _{DC}
Operating Voltage.....	2~5 V _{DC}
Max. Consumption.....	24mA/3V _{DC}
Resonant Frequency.....	2300±300Hz
Operating Temperature.....	-40~+85°C
Storage Temperature.....	-40~+85°C
Weight.....	1.7g

PACKING INFORMATION:

Packing: 3000 pcs per export carton
 Carton Size: 47 × 25 × 28cm
 G. Weight: 6.6 kgs N. Weight: 5.1kgs
 Address: Multitrack GmbH, Pfaffenrain 22, 35606 Solms, Germany
 Tel: +49-6442-9220950, Fax: +49-3212-1258768

