

**Magnetic Buzzer**RoHS  
Compliant

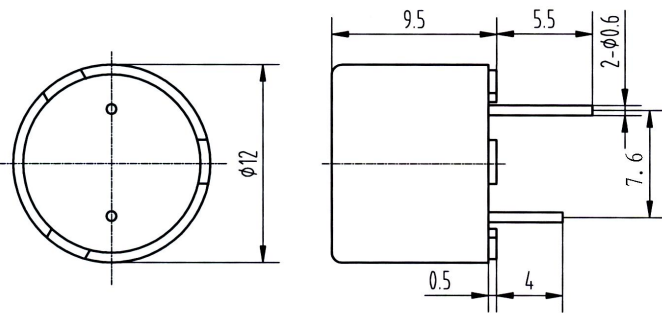
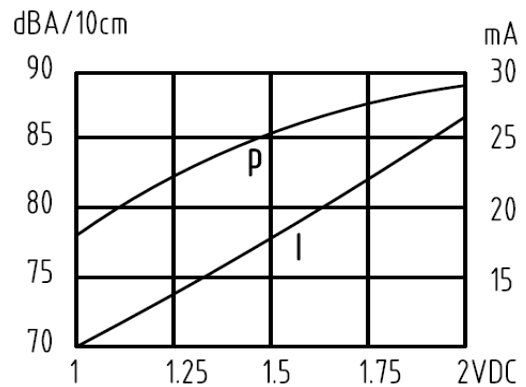
Rev.2

**EMX- 7T01SP****FEATURES:**

- Low Frequency
- Low Voltage
- Small and Slim Size

**APPLICATIONS:**

- Automatic Control Equipment
- Communication Equipment
- Electronic Instruments

**DIMENSIONS: (Unit: mm)****CHARACTERISTICS:****ELECTRICAL SPECIFICATIONS:**

Min. Sound Pressure Level at 1.5V <sub>DC</sub> /10cm.....	80dB(A)
Rated Voltage.....	1.5V <sub>DC</sub>
Operating Voltage.....	1~2V <sub>DC</sub>
Max. Consumption.....	20mA/1.5V <sub>DC</sub>
Oscillating Frequency.....	2300±200Hz
Operating Temperature.....	-20~+60°C
Storage Temperature.....	-20~+70°C
Weight.....	1.7g

**PACKING INFORMATION:**

Packing: 3000 pcs per export carton

Carton Size: 47×25×28cm

G. Weight: 6.6 kgs N. Weight: 5.1kgs

Address: Multitrack GmbH, Pfaffenrain 22, 35606 Solms, Germany

Tel: +49-6442-9220950, Fax: +49-3212-1258768

