



Magnetic Transducer

EMX-6B03L

Rev.2



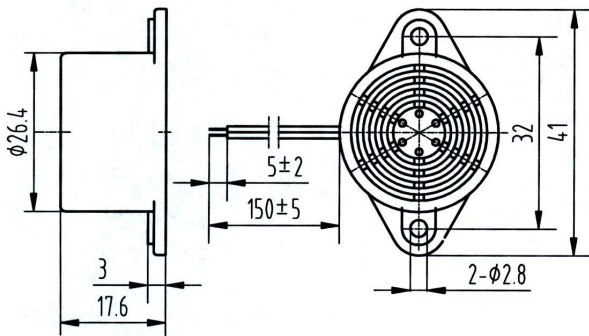
FEATURES:

- Low Frequency
- Low Voltage
- Small and Slim Size

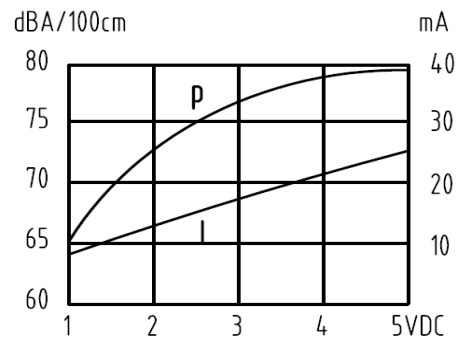
APPLICATIONS:

- Automatic Control Equipment
- Communication Equipment
- Electronic Instruments

DIMENSIONS:(Unit: mm)



CHARACTERISTICS:



ELECTRICAL SPECIFICATIONS:

Min. Sound Pressure Level at

3V _{DC} /100cm.....	73dB
Rated Voltage.....	3V _{DC}
Operating Voltage.....	2~5V _{DC}
Max. Consumption.....	20mA/3V _{DC}
Resonant Frequency.....	400±100Hz
Operating Temperature.....	-40~+70°C
Storage Temperature.....	-40~+80°C
Weight.....	17g

PACKING INFORMATION:

Packing: 500 pcs per export carton

Carton Size: 39.5×20×21.5 cm

G. Weight: 10.0 kgs N. Weight: 8.5 kgs

Address: Multitrack GmbH, Pfaffenrain 22, 35606 Solms, Germany

Tel: +49-6442-9220950, Fax: +49-3212-1258768

