



Magnetic Buzzer

EMX-6B00LSERIES

Rev.2



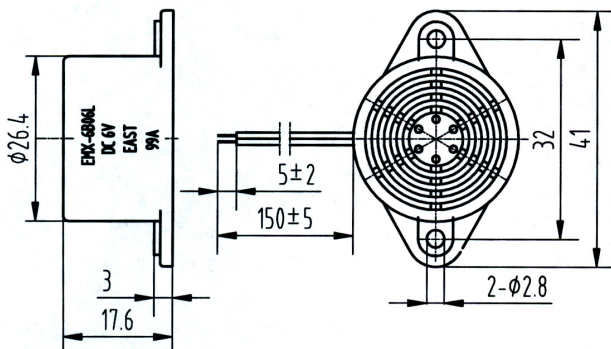
FEATURES:

- Low Current
- Compact
- Rich Sound

APPLICATIONS:

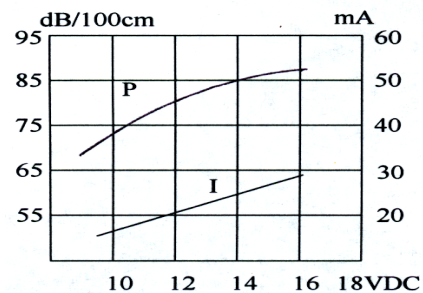
- Automatic Control Equipment
- Communication Equipment
- Electronic Instruments

DIMENSIONS:(Unit: mm)



CHARACTERISTICS:

EMX-6B12L



ELECTRICAL SPECIFICATIONS:

Model No.	EMX-6B06L	EMX-6B12L	EMX-6B24L
Min. Sound Pressure Level (dB)	75/Rated Voltage/100cm		
Rated Voltage (V _{DC})	6	12	24
Operating Voltage (V _{DC})	4~ 8	7~ 16	20~ 28
Max. Consumption (mA)	33/6V _{DC}	23/V _{DC}	21/V _{DC}
Oscillating Frequency (Hz)	400±100		
Operating Temperature (°C)	-20~ +70		
Weight (g)	17		
Wire Connection (AWG28)	+	Red	
	-	Black	

PACKING INFORMATION:

Packing: 500 pcs per export carton
 Carton Size: 39.5×20×21.5cm
 G. Weight: 10.0 kgs N. Weight: 8.5 kgs
 Address: Multitrack GmbH, Pfaffenrain 22, 35606 Solms, Germany
 Tel: +49-6442-9220950, Fax: +49-3212-1258768

