

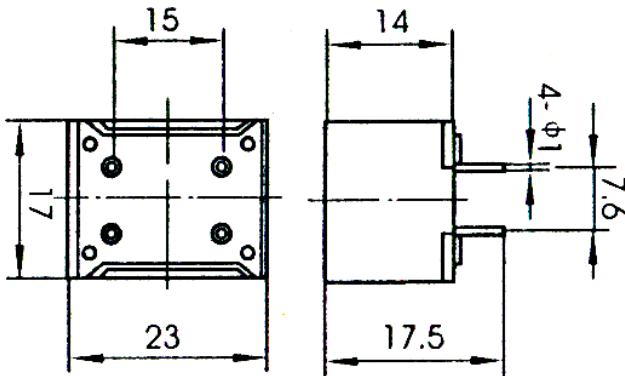


## Magnetic Buzzer

### EMX-300P<sub>4</sub>SIRIES



**DIMENSIONS:**( Unit: mm)



**FEATURES:**

- Low Current
- Compact
- Rich Sound

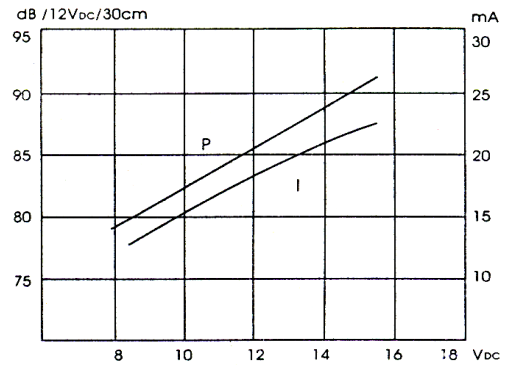
**Rev.2**

**APPLICATIONS:**

- Automatic Control Equipment
- Communication Equipment
- Electronic Instruments

**CHARACTERISTICS:**

*EMX-312P<sub>4</sub>*



**ELECTRICAL SPECIFICATIONS:**

Model No.	EMX-301P <sub>4</sub>	EMX-303P <sub>4</sub>	EMX-306P <sub>4</sub>	EMX-309P <sub>4</sub>	EMX-312P <sub>4</sub>	EMX-324P <sub>4</sub>
Min. Sound Pressure Level /Rated Voltage/30cm (dB)	70		75			
Rated Voltage (V <sub>DC</sub> )	1.5	3	6	9	12	24
Operating Voltage (V <sub>DC</sub> )	1~3	2~4	4~8	9~12	9~15	15~27
Max. Consumption (mA)	20	25				30
Oscillating Frequency (Hz)	400±50					
Operating Temperature (°C)	-20~ +70					
Weight (g)	8					

**PACKING INFORMATION:**

Packing: 1500 pcs per export carton

Carton Size: 47×30.5×35 cm

G. Weight: 13.5 kgs N. Weight: 12 kgs

Address: Multitrack GmbH, Pfaffenrain 22, 35606 Solms, Germany

Tel: +49-6442-9220950, Fax: +49-3212-1258768

