



### Magnetic Buzzer

## EMX-300P<sub>2</sub>SIRIES

Rev.2



**DIMENSIONS:**(Unit: mm)

#### FEATURES:

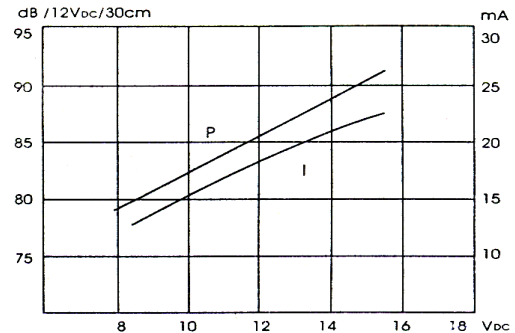
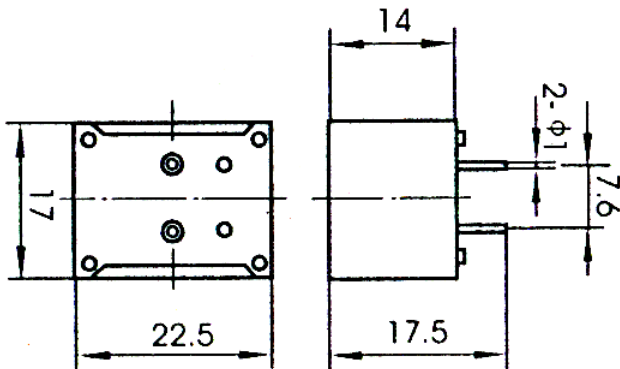
- Low Current
- Compact
- Rich Sound

#### APPLICATIONS:

- Automatic Control Equipment
- Communication Equipment
- V Electronic Instruments

#### CHARACTERISTICS:

EMX-312P<sub>2</sub>



#### ELECTRICAL SPECIFICATIONS:

Model No.	EMX-301P <sub>2</sub>	EMX-303P <sub>2</sub>	EMX-306P <sub>2</sub>	EMX-309P <sub>2</sub>	EMX-312P <sub>2</sub>	EMX-324P <sub>2</sub>
Min. Sound Pressure Level /Rated Voltage/30cm (dB)	70		75			
Rated Voltage (V <sub>DC</sub> )	1.5	3	6	9	12	24
Operating Voltage (V <sub>DC</sub> )	1~3	2~4	4~8	9~12	9~15	15~27
Rated Current (mA)	20	25			30	
Resonant Frequency (Hz)	400±50					
Operating Temperature (°C)	-20~ +70					
Weight (g)	8					

#### PACKING INFORMATION:

Packing: 1500 pcs per export carton

Carton Size: 47×30.5×35cm

G. Weight: 13.5 kgs N. Weight: 12 kgs

Address: Multitrack GmbH, Pfaffenrain 22, 35606 Solms, Germany

Tel: +49-6442-9220950, Fax: +49-3212-1258768

