

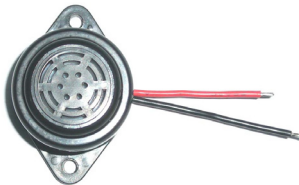
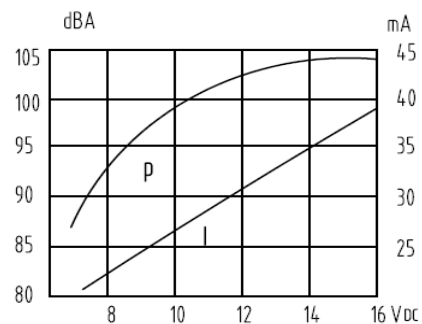
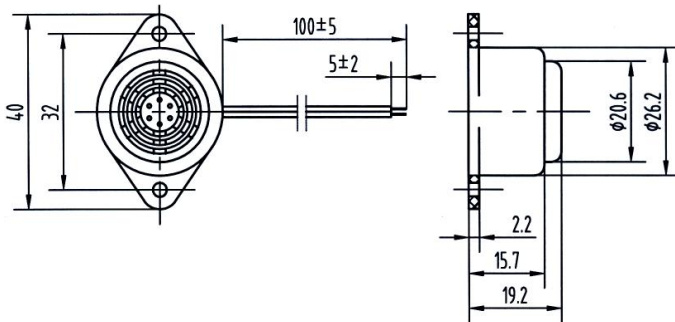
**Magnetic Buzzer****EMX- 10BA12L****FEATURES:**

Rev.2

- Low Frequency
- Small Size and Compact
- Rich Sound

**APPLICATIONS:**

- Automatic Control Equipment
- Communication Equipment
- Electronic Instruments

**DIMENSIONS: (Unit: mm)****CHARACTERISTICS:****ELECTRICAL SPECIFICATIONS:**

Min. Sound Pressure Level at 12V <sub>DC</sub> /10cm.....	95dB(A)
Rated Voltage.....	12V <sub>DC</sub>
Operating Voltage.....	7~16V <sub>DC</sub>
Max. Consumption .....	35mA/12V <sub>DC</sub>
Resonant Frequency.....	300±80Hz
Wire Standard.....	UL1095-22AWG
Operating Temperature.....	-20~+70°C
Storage Temperature.....	-20~+70°C
Housing Material/Colour.....	ABS/Black
Weight.....	11g

Note: Value applying rated voltage: 1/2duty square wave

**PACKING INFORMATION:**

Packing: 500 pcs per export carton

Carton Size: 39.5 × 20 × 21.5cm

G. Weight: 7.0 kgs N. Weight: 5.5kgs

Address: Multitrack GmbH, Pfaffenrain 22, 35606 Solms, Germany

Tel: +49-6442-9220950, Fax: +49-3212-1258768

