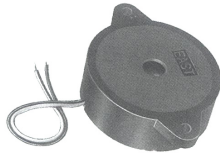
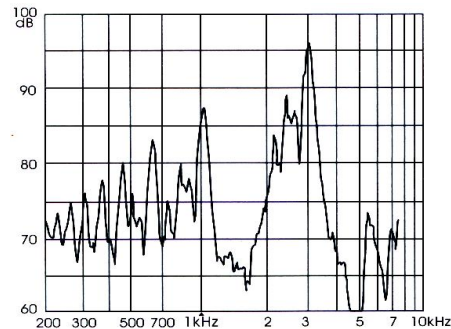
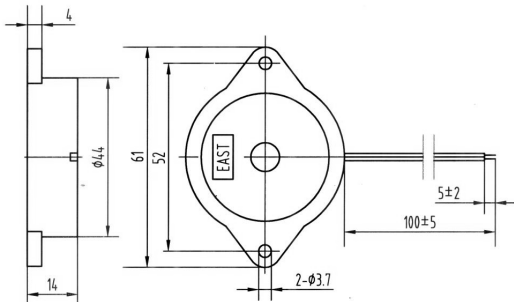


**External-driven Piezo Transducer****TFM-05****FEATURES:**

- Low Frequency
- Low Current Drain
- Light and compact

APPLICATIONS:

- Automatic Control Equipment
- Communication Equipment
- Electronic Instruments

CHARACTERISTICS:**DIMENSIONS: (Unit: mm)****ELECTRICAL SPECIFICATIONS:**

Min. Sound Pressure Level at

1.0kHz/12V_{p-p} Square Wave/30cm.....80dB(A)

Capacitance at 120Hz.....66nF±30%

Allowable Input Voltage.....40V_{p-p}

Max. Consumption

at 1.0kHz/12V_{p-p} Square Wave.....6mA

Resonant Frequency..... 1.0±0.5kHz

Operating Temperature..... -20~+70°C

Case Material/Color.....ABS/Black

Weight..... 10g

Wire Standard.....UL1095-26AWG

PACKING INFORMATION:

Packing: 1000 pcs per export carton

Carton Size: 47×30.5×25 cm

G. Weight: 11.5 kgs N. Weight: 10.0 kgs

Address: Multitrack GmbH, Pfaffenrain 22, 35606 Solms, Germany

Tel: +49-6442-9220950, Fax: +49-3212-1258768

