



### External-driven Piezo Transducer

## TFM-03



#### FEATURES:

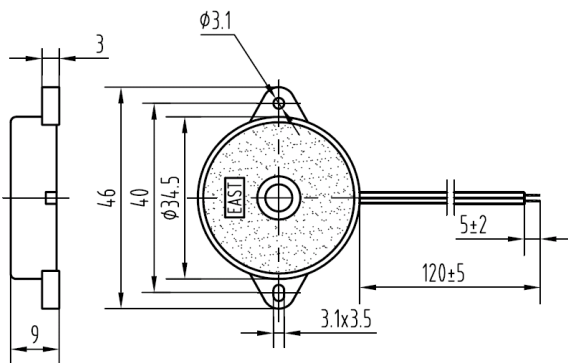
- Low Frequency
- Low Current Drain
- Light and compact

Rev.2

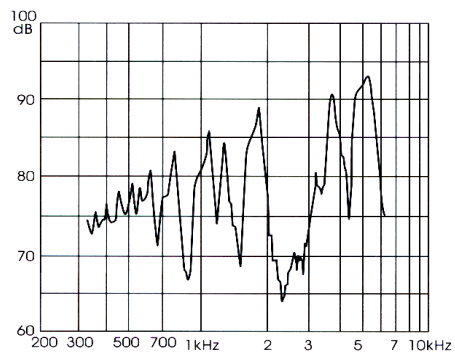
#### APPLICATIONS:

- Automatic Control Equipment
- Communication Equipment
- Electronic Instruments

#### DIMENSIONS: (Unit: mm)



#### CHARACTERISTICS:



#### ELECTRICAL SPECIFICATIONS:

Min. Sound Pressure Level at

1.0kHz/12V<sub>p-p</sub> Square Wave/30cm.....75dB(A)

Capacitance at 120Hz.....45nF±30%

Allowable Input Voltage.....40V<sub>p-p</sub>

Max. Consumption

at 1.0kHz/12V<sub>p-p</sub> Square Wave.....3mA

Resonant Frequency..... 1.0±0.5kHz

Operating Temperature..... -20~+70°C

Case Material/Color.....ABS/Black

Weight..... 4.8g

Wire Standard.....UL1095-28AWG

#### PACKING INFORMATION:

Packing: 2000 pcs per export carton

Carton Size: 47×30.5×25 cm

G. Weight: 11.1 kgs N. Weight: 9.6 kgs

Address: Multitrack GmbH, Pfaffenrain 22, 35606 Solms, Germany

Tel: +49-6442-9220950, Fax: +49-3212-1258768

