

**External-driven Piezo Transducer****TFM-01B0**

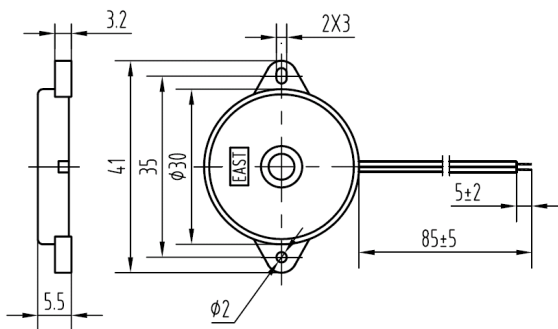
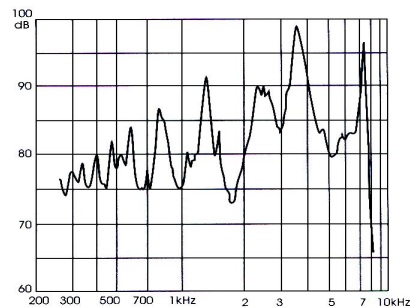
Rev.2

**FEATURES:**

- Low Frequency
- Low Current Drain
- Light and compact

**APPLICATIONS:**

- Automatic Control Equipment
- Communication Equipment
- Electronic Instruments

**DIMENSIONS: (Unit: mm)****CHARACTERISTICS:****ELECTRICAL SPECIFICATIONS:**

Min. Sound Pressure Level at

3.5kHz/9V<sub>p-p</sub> Square Wave/10cm.....90dB(A)

Capacitance at 120Hz.....45nF±30%

Allowable Input Voltage.....40V<sub>p-p</sub>

Max. Consumption

at 3.5kHz/9V<sub>p-p</sub> Square Wave.....5mA

Resonant Frequency..... 3.5±0.5kHz

Operating Temperature..... -20~+70°C

Case Material/Color.....ABS/Black

Weight..... 3.5g

Wire Standard.....UL1095-28AWG

**PACKING INFORMATION:**

Packing: 3200 pcs per export carton

Carton Size: 47×30.5×19 cm

G. Weight: 13.0 kgs N. Weight: 11.2 kgs

Address: Multitrack GmbH, Pfaffenrain 22, 35606 Solms, Germany

Tel: +49-6442-9220950, Fax: +49-3212-1258768

