

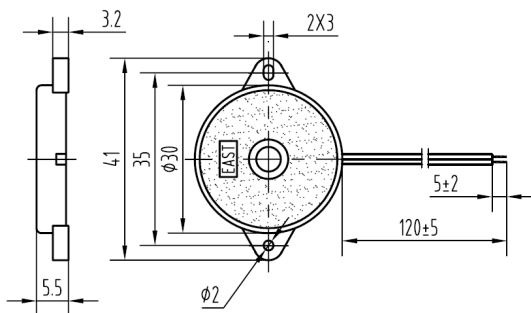
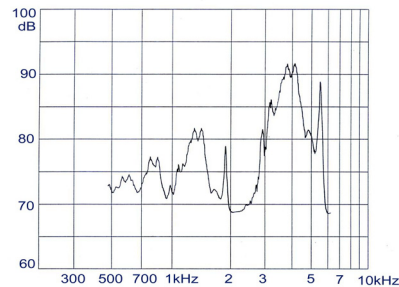
RoHS
Compliant**External-driven Piezo Transducer****TFM-01B****FEATURES:**

- Low Frequency
- Low Current Drain
- Light and compact

APPLICATIONS:

- Automatic Control Equipment
- Communication Equipment
- Electronic Instruments

Rev.2

DIMENSIONS: (Unit: mm)**CHARACTERISTICS:****ELECTRICAL SPECIFICATIONS:**

Min. Sound Pressure Level at

3.5kHz/3V_{p-p} Square Wave/10cm.....75dB(A)

Capacitance at 120Hz.....20nF±30%

Allowable Input Voltage.....40V_{p-p}

Max. Consumption

at 3.5kHz/3V_{p-p} Square Wave.....2.5mA

Resonant Frequency..... 3.5±0.5kHz

Operating Temperature..... -20~+70°C

Case Material/Color.....ABS/Black

Weight..... 3.5g

Wire Standard.....UL1095-28AWG

PACKING INFORMATION:

Packing: 3200 pcs per export carton

Carton Size: 47×30.5×19 cm

G. Weight: 13.0 kgs N. Weight: 11.2 kgs

Address: Multitrack GmbH, Pfaffenrain 22, 35606 Solms, Germany

Tel: +49-6442-9220950, Fax: +49-3212-1258768

