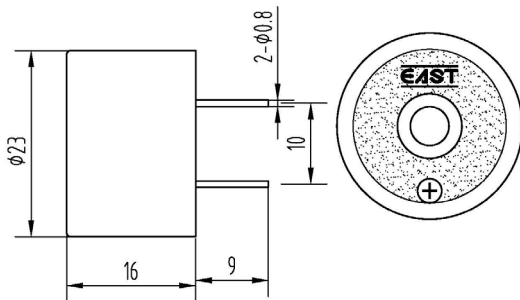
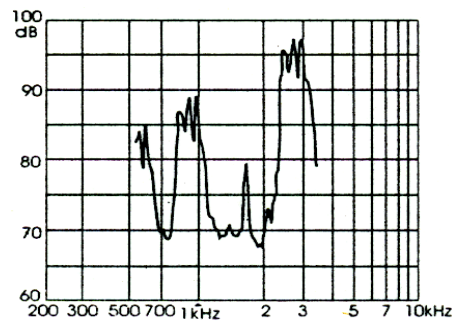


**External-driven Piezo Transducer****SL1I-D₁****DIMENSIONS:(Unit: mm)****FEATURES:**

- Low Frequency
- High Output
- Light and compact

APPLICATIONS:

- Automatic Control Equipment
- Communication Equipment
- Electronic Instruments

CHARACTERISTICS:**ELECTRICAL SPECIFICATIONS:***Min. Sound Pressure Level at*

3.6kHz /12Vp-p Square Wave/30cm.....85dB

Capacitance at 1000Hz.....12nF±30%

Allowable Input Voltage.....45Vp-p

Max. Consumption

at 3.6kHz/12Vp-p Square Wave.....4mA

Resonant Frequency.....3.6±0.5kHz

Operating Temperature.....-20~+70°C

Case Material/Color.....ABS/Black

Weight.....5g

PACKING INFORMATION:

Packing: 1600 pcs per export carton

Carton Size: 47×30.5×33cm

G. Weight: 9.5 kgs N. Weight: 8.0 kgs

Address: Multitrack GmbH, Pfaffenrain 22, 35606 Solms, Germany

Tel: +49-6442-9220950, Fax: +49-3212-1258768



REVISION HISTORY				
REV	DESCRIPTION	ISSUED BY/DATE	CHECKED	APPROVED
2	RELEASE	WEN GUANGJUN May 14, 2008	ZHANGCHUNLEI	WANGJIANCHENG
3	Add "EAST" marking	WEN GUANGJUN July 14, 2009	ZHANGCHUNLEI	WANGJIANCHENG