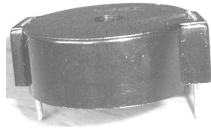
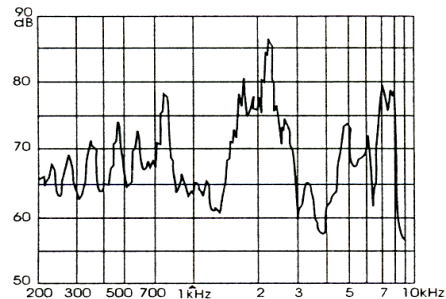
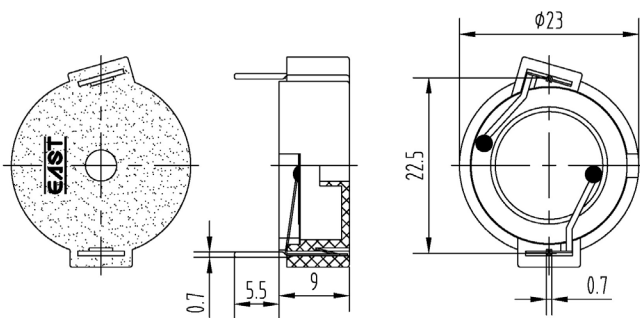


**External-driver Piezo Transducer****Rev.2****MFT-202P****FEATURES:**

- Small Size
- Low Consumption
- Low Frequency

APPLICATIONS:

- Automatic Control Equipment
- Communication Equipment
- Electronic Instruments

DIMENSIONS:(Unit: mm)**CHARACTERISTICS:****ELECTRICAL SPECIFICATIONS:**

Min. Sound Pressure Level at

2048Hz/10V_{P-P} Square Wave /30cm.....75dB

Capacitance at 120Hz.....24nF±30%

Allowable Input Voltage.....40V_{P-P}

Max. Consumption at

2048Hz/10V_{P-P} Square Wave.....3mA

Resonant Frequency.....1.8~2.5kHz

Operating Temperature.....-20~+70°C

Case Material/Color.....PC (141R)/Black

Weight.....2g

PACKING INFORMATION:

Packing: 3000 pcs per export carton

Carton Size: 47x30.5x35 cm

G. Weight: 7.5 kgs N. Weight: 6 kgs

Address: Multitrack GmbH, Pfaffenrain 22, 35606 Solms, Germany

Tel: +49-6442-9220950, Fax: +49-3212-1258768

