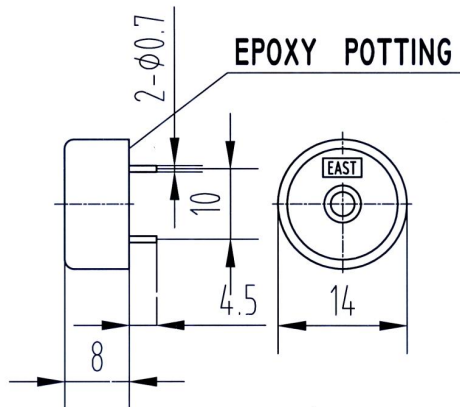
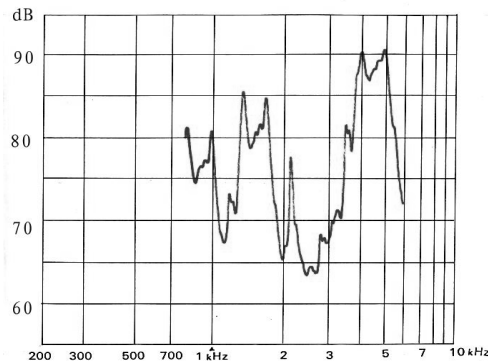


*Piezo Buzzer***EFM-250D₁₀****DIMENSIONS: (Unit: mm)****FEATURES:**

- Compact Structure
- Sealed for Wave Soldering
- and Washing

APPLICATIONS:

- Automatic Control Equipment
- Communication Equipment
- Electronic Instruments

CHARACTERISTICS:**ELECTRICAL SPECIFICATIONS:**

Min. Sound Pressure Level at

4.1kHz/5V_{p-p} Square Wave/10cm.....80dB(A)

Capacitance at 120Hz.....10nF±30%

Allowable Input Voltage.....20V_{p-p}

Max. Consumption

at 4.1kHz/5V_{p-p} Square Wave2mA

Resonant Frequency.....4.1±0.5kHz

Operating Temperature.....-20~+70°C

Case Material/Color.....PA6/Black

Weight.....1g

PACKING INFORMATION:

Packing: 5000 pcs per export carton

Carton Size: 47×30.5×33cm

G. Weight: 6.5 kgs N. Weight: 5 kgs

Address: Multitrack GmbH, Pfaffenrain 22, 35606 Solms, Germany

Tel: +49-6442-9220950, Fax: +49-3212-1258768

