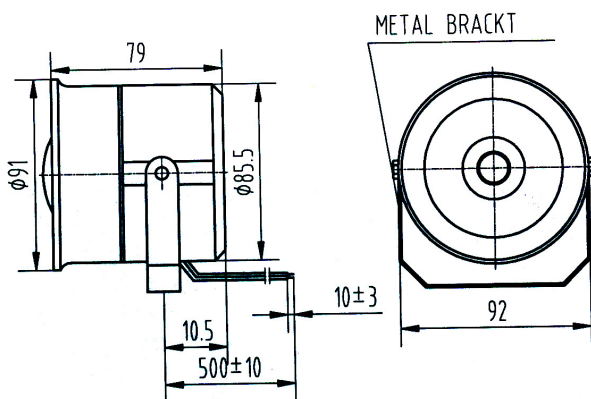


**High-Output Siren**

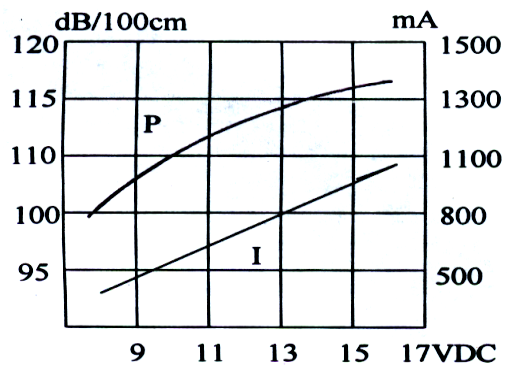
Rev.2

**W-19****DIMENSIONS: (Unit: mm)****FEATURES:**

- High Output
- Sealed Type
- High Reliability

**APPLICATIONS:**

- Automatic Control Equipment
- Communication Equipment
- Electronic Instruments

**CHARACTERISTICS:****ELECTRICAL SPECIFICATIONS:**

Min. Sound Pressure Level at

12V <sub>DC</sub> /100cm.....	110dB(A)
Rated Voltage.....	12V <sub>DC</sub>
Operating Voltage.....	8~15V <sub>DC</sub>
Max. Consumption.....	1000mA/12V <sub>DC</sub>
Tone Nature.....	Siren
Operating Temperature.....	-20~+105 °C
Case Material/Color.....	PC/Black
Weight.....	200g

**PACKING INFORMATION:**

Packing: 24 pcs per export carton

Carton Size: 46×34×25 cm

G. Weight: 6.3 kgs N. Weight: 4.8 kgs

Address: Multitrack GmbH, Pfaffenrain 22, 35606 Solms, Germany

Tel: +49-6442-9220950, Fax: +49-3212-1258768

