



High-Output Siren

Rev.2

W-18CB



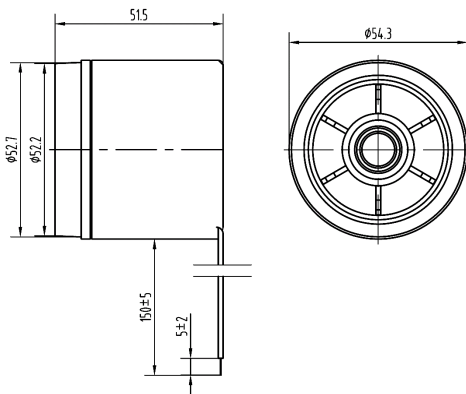
FEATURES:

- High Output
- Sealed Type
- High Reliability
- Water Proof

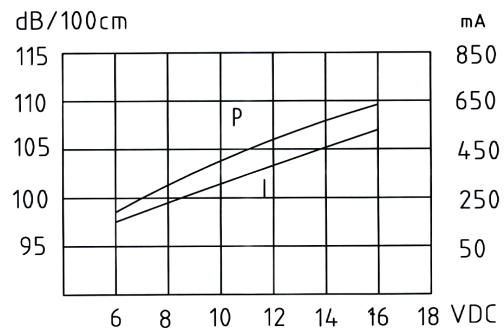
APPLICATIONS:

- Automatic Control Equipment
- Communication Equipment
- Electronic Instruments

DIMENSIONS: (Unit: mm)



CHARACTERISTICS:



ELECTRICAL SPECIFICATIONS:

Min. Sound Pressure Level at

12V _{DC} /100cm.....	105dB(A)
Rated Voltage.....	12V _{DC}
Operating Voltage.....	6~15V _{DC}
Max. Consumption.....	800mA/12V _{DC}
Tone Nature.....	Siren
Oscillating.....	550±100Hz
Operating Temperature.....	-30~+70 °C
Case Material/Color.....	ABS/Black
Weight.....	85g

PACKING INFORMATION:

Packing: 100 pcs per export carton

Carton Size: 47×30.5×21 cm

G. Weight: 10.0 kgs N. Weight: 8.5 kgs

Address: Multitrack GmbH, Pfaffenrain 22, 35606 Solms, Germany

Tel: +49-6442-9220950, Fax: +49-3212-1258768

