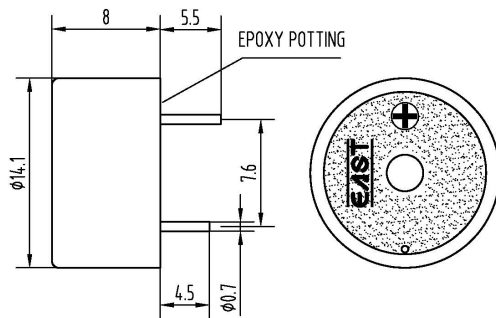
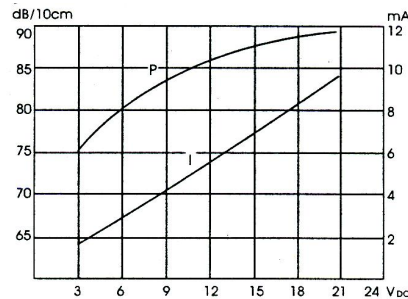


**Piezo Buzzer****EFM-250****DIMENSIONS: (Unit: mm)****FEATURES:**

- SMT Inside
- Sealed Type for Wave Soldering
- Small Size

APPLICATIONS:

- Automatic Control Equipment
- Communication Equipment
- Electronic Instruments

CHARACTERISTICS:**ELECTRICAL SPECIFICATIONS:**

Min. Sound Pressure Level at

12V_{DC}/10cm.....85dB (A)Rated Voltage.....12V_{DC}Operating Voltage.....6~16V_{DC}Max. Consumption.....8mA/12V_{DC}

Oscillating Frequency.....4.0±0.5kHz

Tone Nature.....Continuous

Operating Temperature.....-40~+85°C

Case Material/Color.....PC/Black

Weight.....1g

PACKING INFORMATION:

Packing: 5000 pcs per export carton

Carton Size: 47×30.5×33cm

G.Weight: 6.5 kgs N.Weight: 5.0 kgs

Address: Multitrack GmbH, Pfaffenrain 22, 35606 Solms, Germany

Tel: +49-6442-9220950, Fax: +49-3212-1258768



REVISION HISTORY				
REV	DESCRIPTION	ISSUED BY/DATE	CHECKED	APPROVED
2	RELEASE	WEN GUANGJUN May 14, 2008	ZHANGCHUNLEI	WANGJIANCHENG
3	Add "EAST" marking	WEN GUANGJUN June 13, 2009	ZHANGCHUNLEI	WANGJIANCHENG